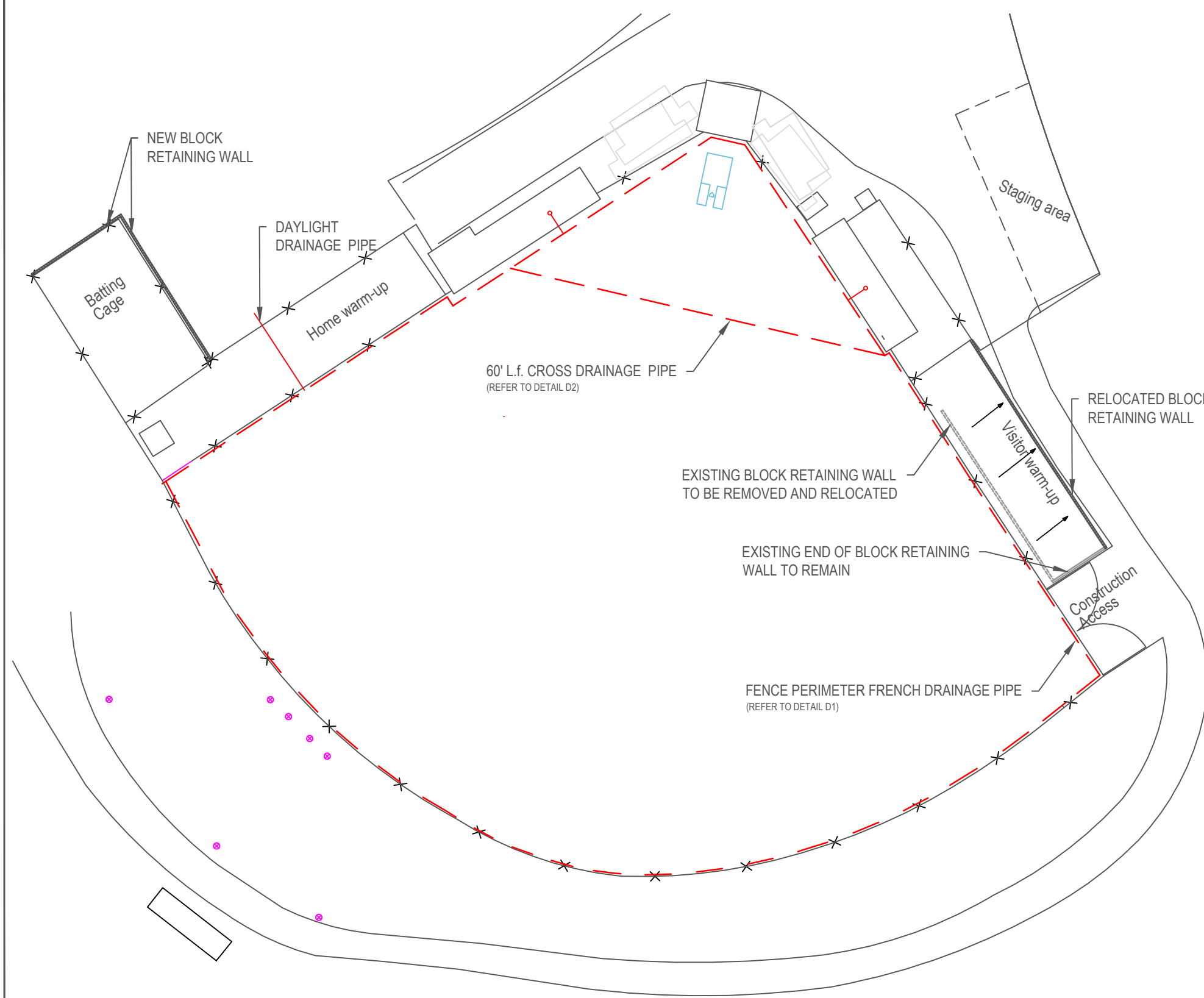


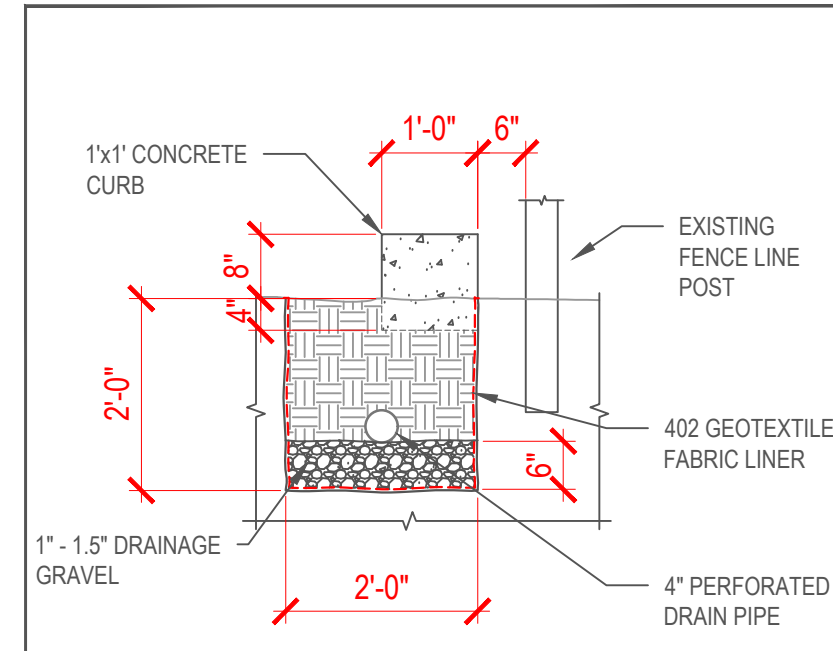
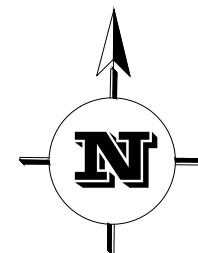
SHEET NOTES

1. CONTRACTOR TO FIELD VERIFY ALL MEASUREMENTS AND PRE-EXISTING CONDITIONS.
2. DRAWINGS ARE NOT TO SCALE UNLESS OTHERWISE INDICATED.

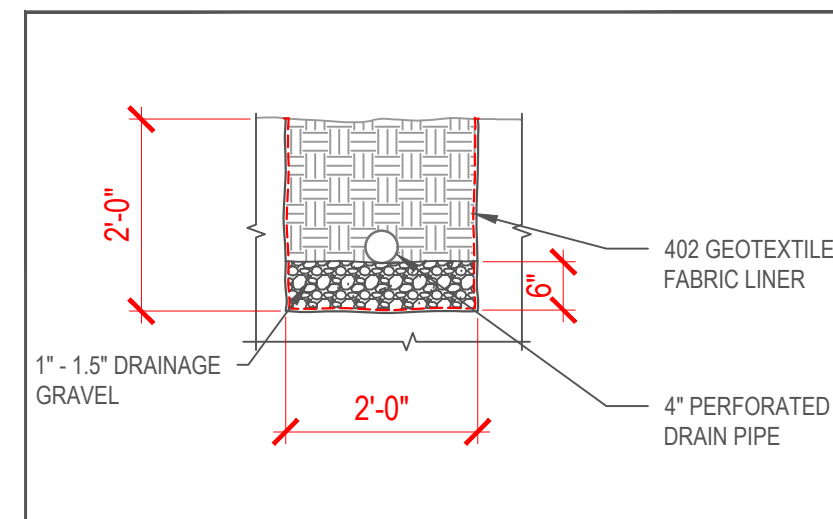


55 - BARTZ FIELD - 55a MILLER RANCH STADIUM

SCALE: Not to Scale



D1 FENCE PERIMETER PIPE DRAINAGE TRENCH DETAIL
 SCALE: 1/2" = 1'- 0"



D2 PIPE DRAINAGE TRENCH DETAIL
 SCALE: 1/2" = 1'- 0"

55 - BARTZ FIELD/55a MILLER RANCH STADIUM
 IDAHO STATE UNIVERSITY
 POCATELLO, IDAHO

BUILDING NUMBER	55/55a
LEVEL	Exterior
DISCIPLINE	Civil
DRAWING SCALE	Not to Scale
DRAWING DATE	05/23/2024